



Factory Five Racing, Inc.

<b>Part Number: 16073</b>	<b>Revision: A</b>	<b>Effective Date: 07/15/15</b>	<b>By: J. INGERSLEV</b>
<b>Document Type (indicate):</b>	<input type="checkbox"/> <b>Bill of Material</b>	<input type="checkbox"/> <b>Drawing (may be attached)</b>	<input type="checkbox"/> <b>Specification</b>
	<input checked="" type="checkbox"/> <b>Assembly Instructions</b>	<input type="checkbox"/> <b>Operating Procedure</b>	<input type="checkbox"/> <b>Other</b>

# RHD Roadster Coyote additional

## INSTALLATION INSTRUCTIONS



### Table of Contents

Parts needed..... 2




Tools Needed.....	2
Engine preparation.....	3
Accelerator Pedal preparation.....	4
Assembly .....	5
Aluminum.....	5
Accelerator pedal.....	6
Pedalbox.....	7

## Parts needed

FFR Coyote install kit  
RHD steering rack  
Complete Roadster kit

## Tools Needed

$\frac{7}{16}$ ” socket, ratchet,  $\frac{5}{32}$ ” hex key, hack saw or grinder

-  The straight pipes included will need cutting/welding to align with the side exhaust.
-  Do all coyote **engine** preparation as described in the Roadster Coyote install instructions before following these instructions.
-  Do not cut the Coyote accelerator pedal as described in the

## Engine preparation



Attach the included engine mount spacer to the right side of the engine.

👉 There should now be a spacer on each side of the engine.

## Accelerator Pedal preparation

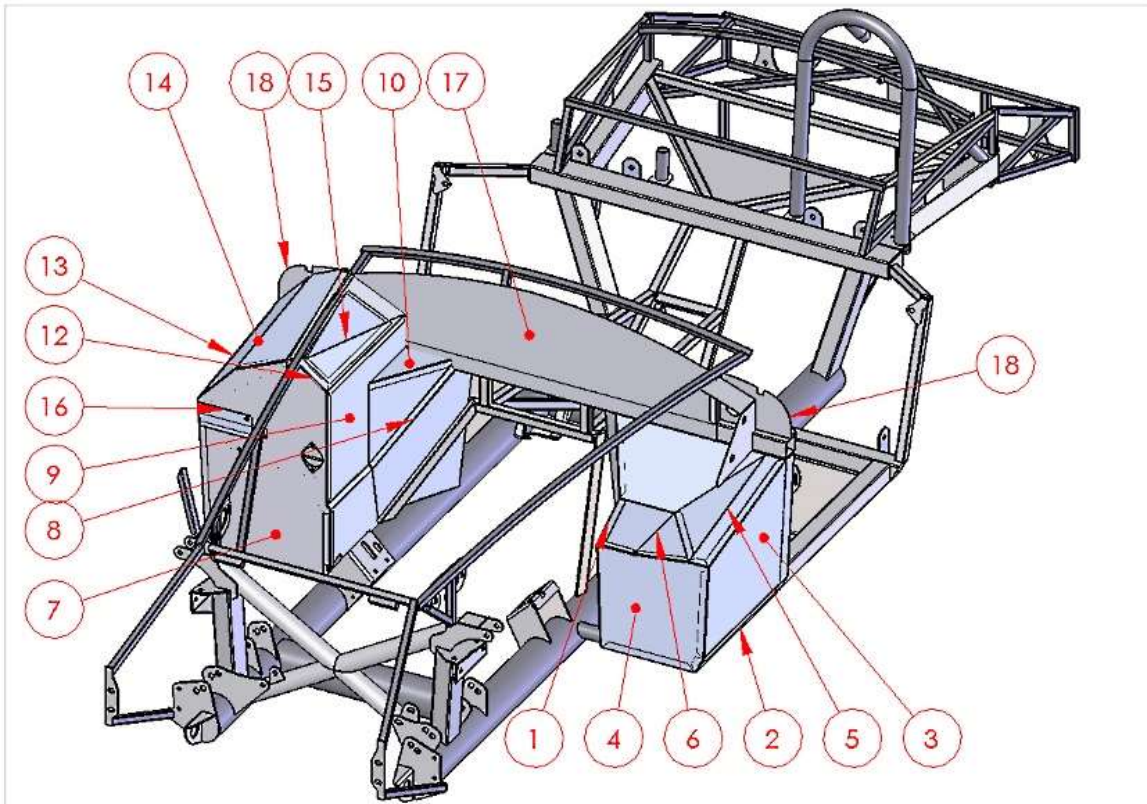


Mark the accelerator pedal as shown.

Cut or grind the pedal where marked.

# Assembly

## ALUMINUM



ITEM NO.	PART NUMBER	DESCRIPTION	Right Hand Drive/QTY.
1	16055	LEFT FOOTBOX, INSIDE - RHD	1
2	16056	RIGHT HAND DRIVE RIGHT FOOTBOX FLOOR	1
3	16057	LEFT FOOTBOX, OUTSIDE - RHD	1
4	16059	LEFT FOOTBOX, FRONT - RHD	1
5	16064	LEFT FOOTBOX, TOP REAR - RHD	1
6	16065	LEFT FOOTBOX, TOP FRONT - RHD	1
7	16046	RIGHT FOOTBOX, FRONT - RHD	1
8	16047	RIGHT HAND DRIVE RIGHT FOOTBOX INSIDE WALL	1
9	16066	RIGHT FOOTBOX, INSIDE MIDDLE - RHD	1
10	16049	RIGHT FOOTBOX, INSIDE REAR - RHD	1
11	16048	RIGHT FOOTBOX, FLOOR - RHD	1
12	16050	RIGHT FOOTBOX, INSIDE TOP - RHD	1
13	16051	RIGHT FOOTBOX, OUTSIDE - RHD	1
14	16052	RIGHT FOOTBOX, OUTSIDE TOP - RHD	1
15	16054	RIGHT FOOTBOX, INSIDE TOP COVER - RHD	1
16	16060	RIGHT FOOTBOX, FRONT BLOCK-OFF- RHD	1
17	16053	RHD FIREWALL	1
18	10963	ALUM PANEL, FIREWALL EXTENSION, PASS SIDE	2

PROPRIETARY AND CONFIDENTIAL  
 THE INFORMATION CONTAINED IN THIS  
 DRAWING IS THE SOLE PROPERTY OF  
 FACTORY FIVE RACING, INC. ANY  
 REPRODUCTION IN PART OR AS A WHOLE  
 WITHOUT THE WRITTEN PERMISSION OF  
 FACTORY FIVE RACING, INC. IS  
 PROHIBITED.

ROADSTER	DIMENSIONS ARE IN INCHES TOLERANCES TWO PLACE DECIMAL ±0.01 THREE PLACE DECIMAL ±0.005 FOUR PLACE DECIMAL ±0.001	NAME	DATE
	MATERIAL	JI	2010
USED ON	FINISH	CHECKED	
APPLICATION	PRINTED	ENG APPR.	
RHD ALUMINUM	7/15/2015	MFG APPR.	
		Q.A.	
		COMMENTS:	



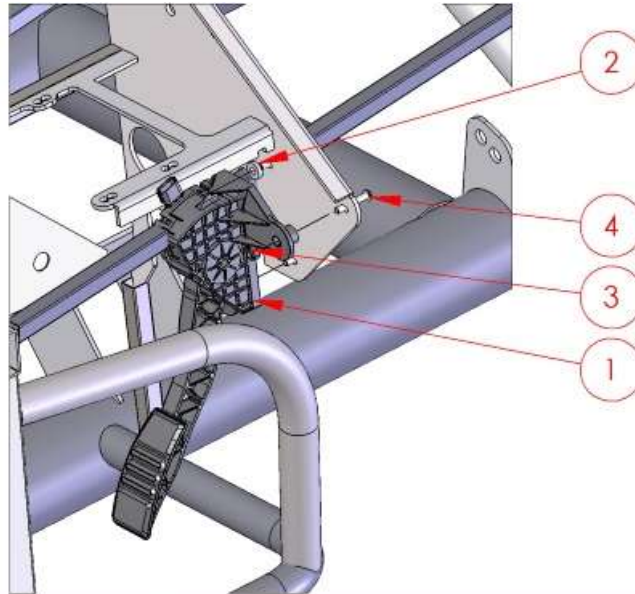
Factory Five Racing, Inc.

**ROADSTER KIT**  
RHD ALUMINUM

SIZE DWG. NO. REV.  
**A 10500 kit** mk4  
 SCALE: 1:10 Weight: Sheet 2 of 5

Attach the aluminum to the frame in a similar order as described in the assembly manual leaving the right footbox tops off for easy access for now.

## ACCELERATOR PEDAL



ITEM NO.	PART NUMBER	DESCRIPTION	Right Hand Drive/QTY.
1	2014 Mustang GT Accelerator Pedal		1
2	16044	RHD ACCELERATOR PEDAL SPACER	1
3	10802	NYLON INSERT LOCKNUT	3
4	SBHCSCREW 0.25-20x1.5-HX-N		3

Attach the accelerator pedal to the frame using the spacer behind the pedal in the top left hole.



The pedal should go into the cut area of the pedal support.

✎ Check the throw of the pedal, fully pressed it may just contact the side footbox tube. The pedal holes are slotted to allow the pedal to move over or the pedal can be spaced out with washers.

## **PEDALBOX**

Install the Wilwood pedalbox in the rear set of holes on the pedalbox mount bracket.